



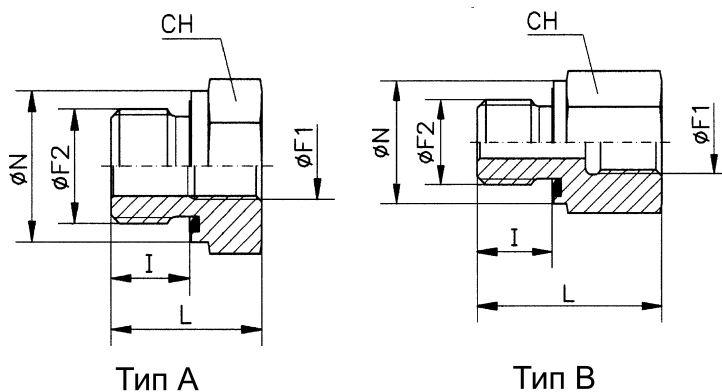
СЕРИЯ TN 141 GG-R

Переходник

Резьба:

Цилиндрическая (трубная)

Метрическая цилиндрическая



Тип E DIN 3852 часть 11

Тип	Ø F2	Ø F1	L	I	CH	Ø N	PE	Код для заказа	Вес кг.х100шт.	
A	3/8"	1/8"	22,5	12	22	22	630	TN 141 GG - 3/8" x 1/8" R	4,0	
	1/2"	1/8"	24	14	27	27		TN 141 GG - 1/2" x 1/8" R	6,7	
	1/2"	1/4"	24	14	27	27		TN 141 GG - 1/2" x 1/4" R	5,7	
	3/4"	1/4"	26	16	32	32		TN 141 GG - 3/4" x 1/4" R	10,4	
	3/4"	3/8"	26	16	32	32		TN 141 GG - 3/4" x 3/8" R	8,8	
	1"	1/4"	29	18	41	40		TN 141 GG - 1" x 1/4" R	19,6	
	1"	3/8"	29	18	41	40	400	TN 141 GG - 1" x 3/8" R	18,0	
	1"	1/2"	29	18	41	40		TN 141 GG - 1" x 1/2" R	15,8	
	1" 1/4	1/2"	32	20	50	50		TN 141 GG - 1" 1/4 x 1/2" R	31,0	
	1" 1/4	3/4"	32	20	50	50		TN 141 GG - 1" 1/4 x 3/4" R	27,0	
	1" 1/2	1/2"	36	22	55	55		TN 141 GG - 1" 1/2 x 1/2" R	47,0	
	1" 1/2	3/4"	36	22	55	55		315	TN 141 GG - 1" 1/2 x 3/4" R	40,0
1" 1/2	1"	36	22	55	55	TN 141 GG - 1" 1/2 x 1" R	34,0			
B	1/8"	1/4"	31	8	19	14	630	TN 141 GG - 1/8" x 1/4" R	3,7	
	1/8"	3/8"	32	8	24	14		TN 141 GG - 1/8" x 3/8" R	6,2	
	1/4"	1/8"	28	12	19	19		TN 141 GG - 1/4" x 1/8" R	3,7	
	1/4"	3/8"	36	12	24	19		TN 141 GG - 1/4" x 3/8" R	6,7	
	1/4"	1/2"	40	12	30	19		TN 141 GG - 1/4" x 1/2" R	11,5	
	1/4"	3/4"	43	12	36	19		TN 141 GG - 1/4" x 3/4" R	17,0	
	3/8"	1/4"	36	12	22	22		TN 141 GG - 3/8" x 1/4" R	6,7	
	3/8"	1/2"	41	12	30	22		TN 141 GG - 3/8" x 1/2" R	12,5	
	3/8"	3/4"	44	12	36	22		400	TN 141 GG - 3/8" x 3/4" R	18,0
	1/2"	3/8"	36	14	27	27		630	TN 141 GG - 1/2" x 3/8" R	9,0
	1/2"	3/4"	46	14	36	27	400	TN 141 GG - 1/2" x 3/4" R	18,2	
	1/2"	1"	49	14	41	27		TN 141 GG - 1/2" x 1" R	22,0	
	1/2"	1" 1/4	53	14	55	27		TN 141 GG - 1/2" x 1" 1/4 R	48,0	
	3/4"	1/2"	41	16	32	32		TN 141 GG - 3/4" x 1/2" R	14,5	
	3/4"	1"	51	16	41	32		TN 141 GG - 3/4" x 1" R	23,7	
	3/4"	1" 1/4	55	16	55	32		TN 141 GG - 3/4" x 1" 1/4 R	48,0	
	3/4"	1" 1/2	57	16	60	32	315	TN 141 GG - 3/4" x 1" 1/2 R	56,0	
	1"	3/4"	47	18	41	40	400	TN 141 GG - 1" x 3/4" R	27,0	
	1"	1" 1/4	57	18	55	40	400	TN 141 GG - 1" x 1" 1/4 R	50,0	
	1"	1" 1/2	59	18	60	40	315	TN 141 GG - 1" x 1" 1/2 R	58,5	
1" 1/4	1"	52	20	50	50	400	TN 141 GG - 1" 1/4 x 1" R	45,9		
1" 1/4	1" 1/2	60	20	60	50	315	TN 141 GG - 1" 1/4 x 1" 1/2 R	61,5		
1" 1/2	1" 1/4	58	22	55	55		TN 141 GG - 1" 1/2 x 1" 1/4 R	54,0		

Диапазон рабочих температур при условии непонижения давления с уплотнениями: NBR (стандартное) and FPM (по заказу):
NBR (нитриловая резина): от -35 до +100°C и FPM (Viton): от -25 С до +120°C°°